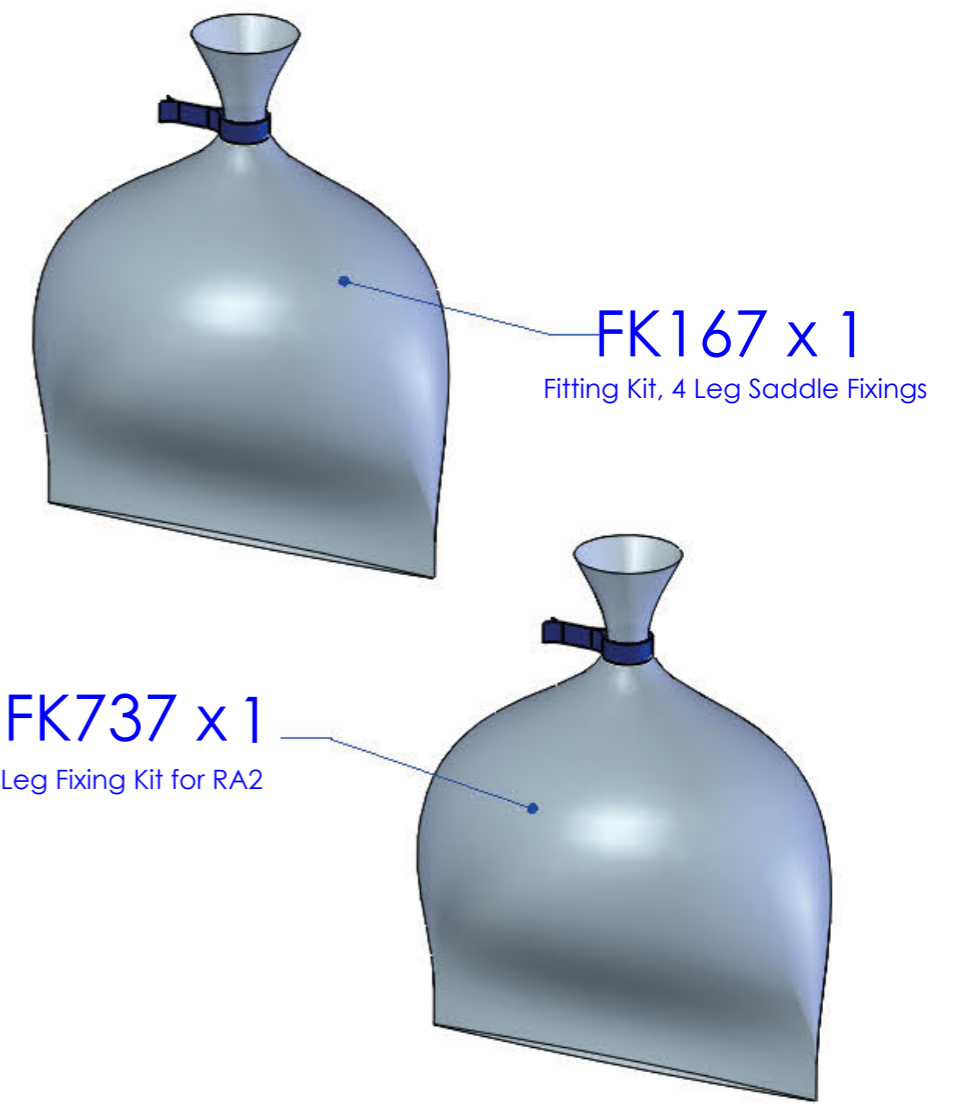
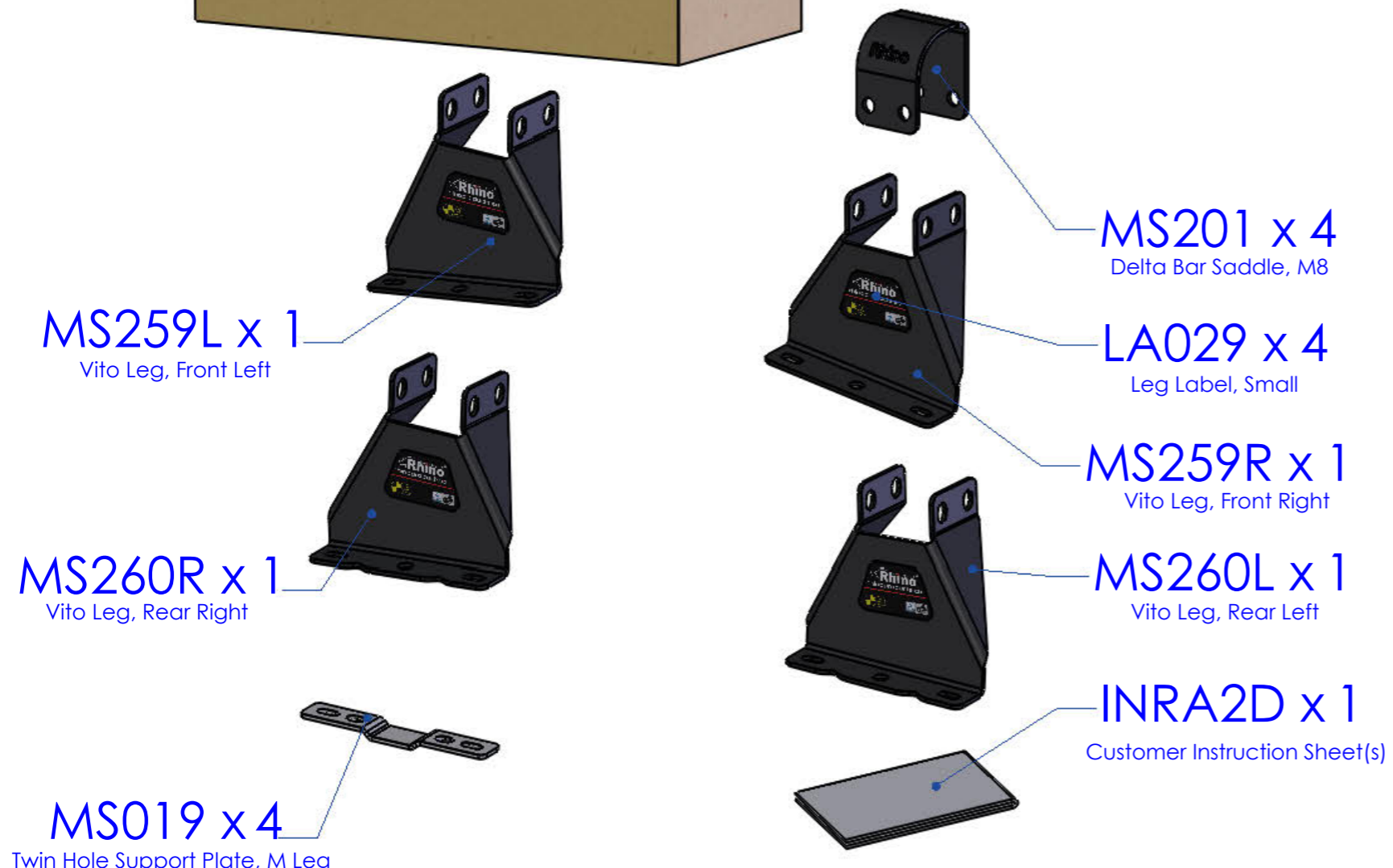
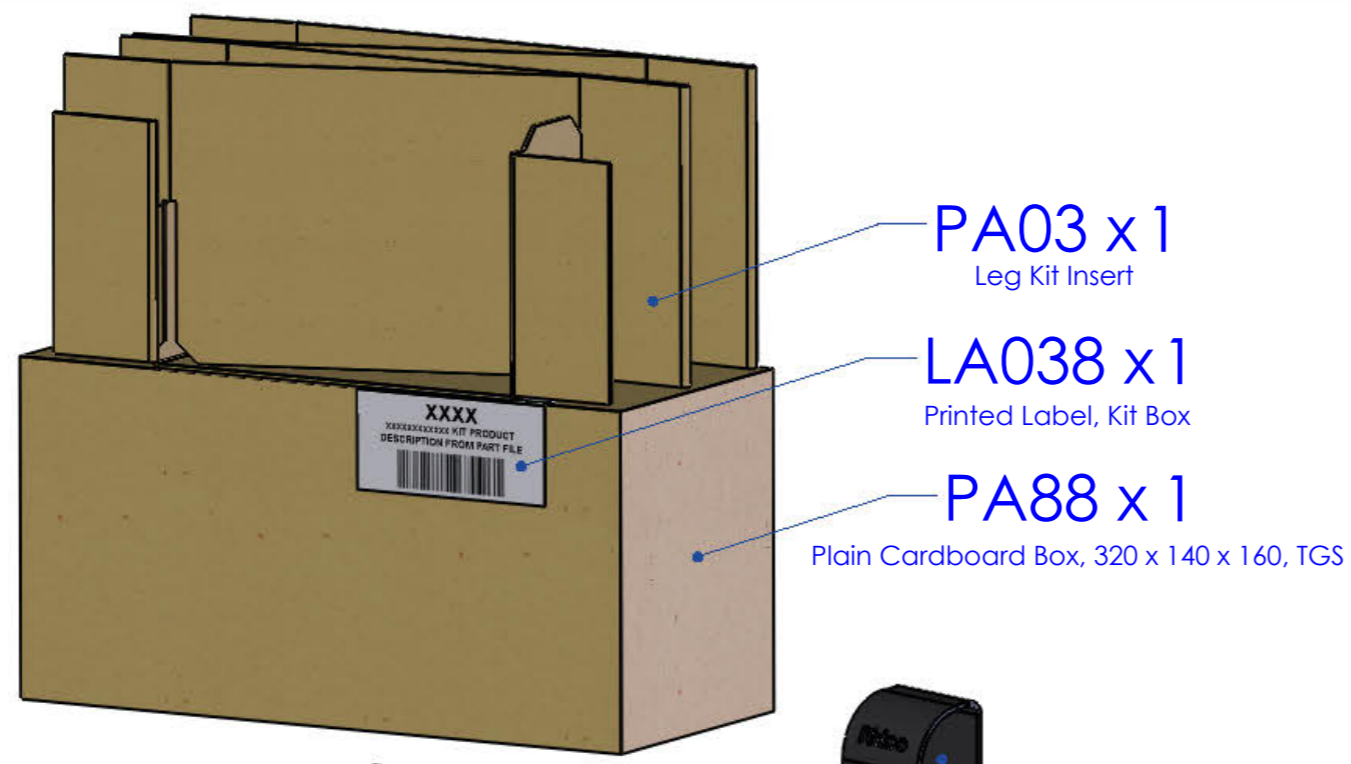


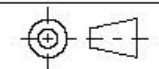
| ISSUE: | DRAWN BY: | CHECKED BY: | CRF NO: | DATE: | DESCRIPTION: |
|--------|-----------|-------------|---------|----------|--|
| b | DS | DMG | 0424 | 07/07/08 | |
| c | KB | DMG | 0639 | 26/11/08 | |
| d | MD | KB | 0639 | 18/08/12 | |
| e | CH | KB | 1317 | 05/09/16 | Updated to contain angled legs and fittings to be used on front and rear mounting position |



- Notes: 1. Fit Labels to Legs as shown above.
 2. Fold Printed Label along edge of Kit Box.
 3. Put through heat tunnel.



| | | |
|--|---|--------------------------------------|
| DRAWING NO: RA2D (1of4) | DESCRIPTION: 2 Bar "RA" Fitting Kit, Delta Bars | DESIGNED BY: A. Watts 11/07/01 |
| MATERIAL SIZE: n/a | MATERIAL SPEC: n/a | WEIGHT: 3.65Kg |
| © NOTE: This drawing is the property of Rhino Products Ltd and must not be used or copied without written consent. The Rhino Products name and logo must remain clearly visible in any reproduction. | | |

| | |
|---|------------------|
|  THIRD ANGLE PROJECTION | |
| UNLESS OTHERWISE SPECIFIED: DIMENSIONS ARE IN MM | |
| 0.00 | 0.2 |
| 0.0 | 0.5 |
| ANG | 0.5° |
| DERIVED DIMENSIONS SHOWN IN BRACKETS | |
| DEBURR AND BREAK ALL SHARP EDGES | |
| SHEET SIZE A3 | SHEET SCALE: 2:7 |

